

City of Norcross

Department of Public Works

Request for Quote (DPW-10-005) Purchase of Park/Downtown Furnishings

Purpose of this Request for Quote (RFQ)

The City of Norcross, located in Gwinnett County, is proposing to purchase furnishings for new and existing parks and the downtown area. The furnishings include trash and recycle receptacles, benches, bike rack, smoker posts, and dog sanitary stations.

All sealed bids must be submitted by Monday, June 28, 2010 at 11am to the address below. Please submit two copies of your bid package.

Craig Mims, Director
DPW-10-005
Department of Public Works
54 Jones Street
Norcross, GA 30071

Please request bidding documents and submit all questions **via e-mail only**. Submit questions/requests to DPW via e-mail at parkfurnishings@norcrossga.net. prior to June 18, 2010.

Request for Quote Description

Specifications for each of the furnishings follow, including the number to be purchased for each element. (Specifications are also available as PDF files.) Specifications for each element (other than dog sanitary station) allow “approved equal.” If bidder proposes a substitution for approval, complete specifications for proposed substitution must be provided with your bid. Quotation must include shipping costs and estimated delivery intervals; if quantity discounts are included, they should be itemized. Please note that City of Norcross is tax exempt, thus sales taxes are not applicable. Certificate of exemption will be provided upon award.

Regarding the recycle receptacles, the specification is for domed lid with clear designation for recycling. Bidder may submit alternative to domed lid (include complete specifications and picture).

Response assessment based upon: Respondents’ time in business, references, thoroughness of response, and cost.

The City of Norcross reserves the right to reject any or all bids, to waive technicalities and to make an award as deemed in its best interest. The City also reserves the right to negotiate regarding the final quantities for purchase, and understands there may be adjustments in quantity discounts and shipping charges. We appreciate your interest in the City of Norcross.

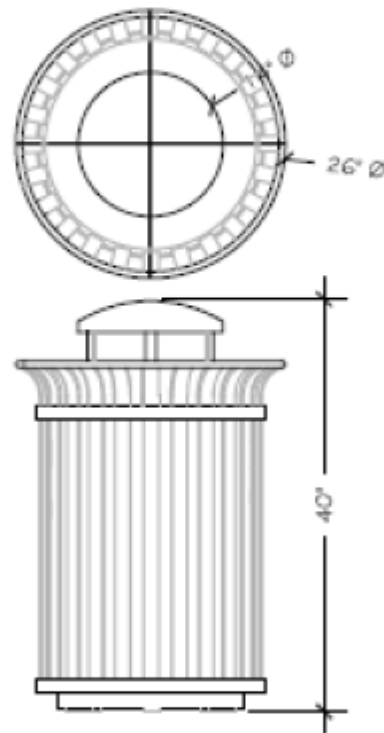
**SPECIFICATION FOR TRASH AND RECYCLE
RECEPTACLES
(OR APPROVED EQUAL)**

BRP ENTERPRISES, INC.
P.O. BOX 80813
LINCON, NE 68501 1-888-438-5311
PHONE: (310) 862-4252
FAX: (310) 388-5311
FAX: (888) 438-5312 www.BRPonline.com
EMAIL: specify@BRPonline.com

MC403-DT (DOME TOP)
VERTICAL STRAPS: 5/16" X 1 1/2" STEEL FLAT BAR
TOP RING: 5/8" Ø STEEL ROUND BAR
STRAP RINGS: 1/4" X 1 1/2" STEEL FLAT BAR
30 GALLON RIGID PLASTIC LINER (INCLUDED)
LID: 20 3/8" X .083" WALL STEEL LID
DOME TOP: 14" Ø X 0.083" WALL STEEL DOME

***MANCHESTER TRASH
RECEPTACLE***

Recycle receptacles should include domed lids and must clearly designate receptacles are for recycling. Separation by type of recycle material not required.



TRASH RECEPTACLES

QUANTITY: 20

COLOR: BLACK

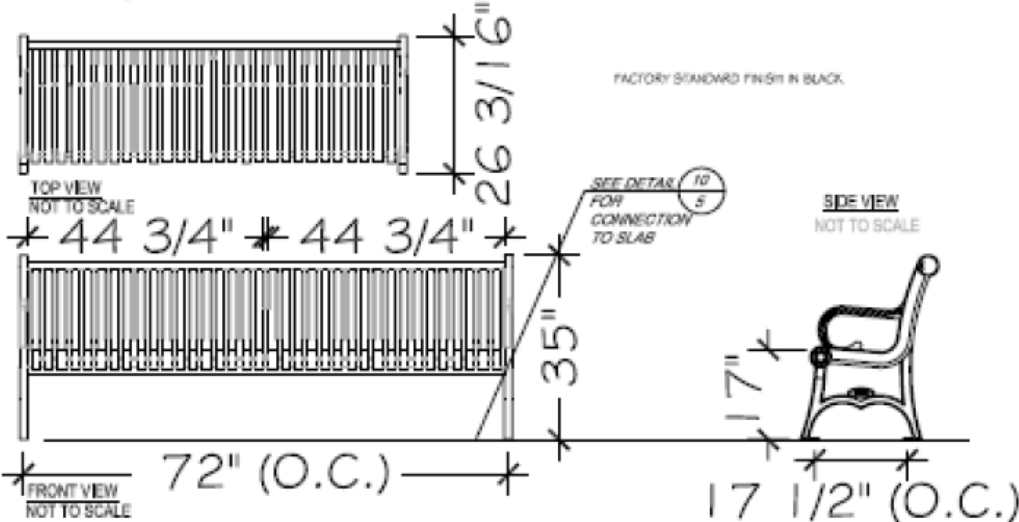
RECYCLE RECEPTACLES

QUANTITY: 16

COLOR: BLACK, DOME "RECYCLE BLUE"

SPECIFICATION FOR BENCH (OR APPROVED EQUAL)

BRP ENTERPRISES, INC.
P.O. BOX 80813
LINCOLN, NE 68501 1-888-438-5311
PHONE: (310) 862-4252
FAX: (310) 388-5311
FAX: (888) 438-5312 www.BRPonline.com
EMAIL: specify@BRPonline.com

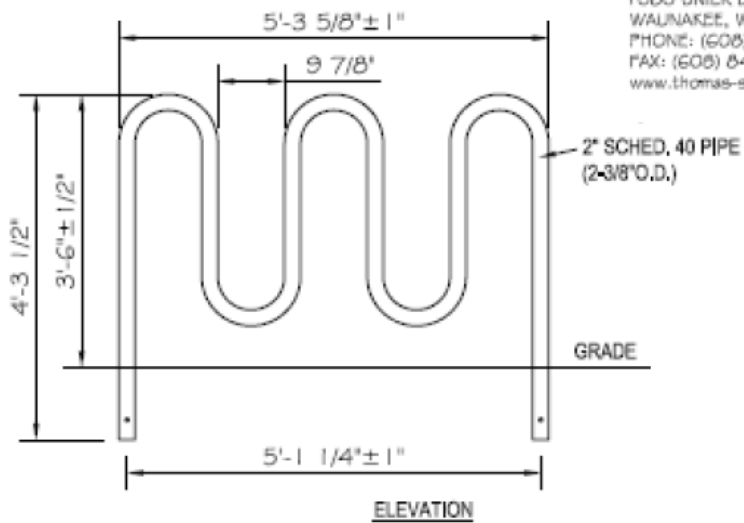


MANCHESTER BACKED BENCH

QUANTITY: 7
COLOR: BLACK



SPECIFICATION FOR BICYCLE RACK (OR APPROVED EQUAL)

MANUFACTURER:
MADRAX, INC.
A DIVISION OF TRILARY, INC.
1080 UNIEK DRIVE
WAUNAKEE, WI USA, 53597
PHONE: (608) 849-1080 | (800) 448-7931
FAX: (608) 849-1081
www.thomas-steel.com



QUANTITY: 1
COLOR: BLACK

SPECIFICATION FOR SMOKING POST (OR APPROVED EQUAL)

	P.O. Box 22326 Lincoln, NE 68542	PF: 402/421-9464 FX: 402/421-9479	WEBSITE: www.sitescapesonline.com E-MAIL: info@sitescapesonline.com
TITLE <i>SMOKING POST</i>	PRODUCT NO. <i>SP3-1000-SM</i>	INCH TOLERANCES U.O.S. FRACTION— $\pm 1/16$ " ANG— $\pm 1^\circ$	THE INFORMATION CONTAINED IN THIS DRAWING IS THE SOLE PROPERTY OF SITECAPES, INC. ANY REPRODUCTION IN PART OR AS A WHOLE WITHOUT THE WRITTEN PERMISSION OF SITECAPES, INC. IS PROHIBITED.
*Available in powder coat and DuraCoat finishes			
			

QUANTITY: 16
COLOR: BLACK

SPECIFICATION FOR PET STATION



The Pet Station includes:

1. Junior Bag Dispenser (metal or our new poly dispenser)
2. Metal or poly waste receptacle.
3. Reflective DOGIPOT Sign 18" x 12" aluminum
4. Two (2) rolls @ 200 bags of opaque green, 13" by 8", OXO-BIODEGRADABLE Litter Pick Up Bags
5. One box @ 50 heavy duty Trash Liner Bags
6. Assembly Material
7. Multipurpose 4' - 8' Telescope Post
8. Weight: poly (#1010)- 22 lbs; aluminum (#1003-L) 45lbs

DOGIPOT

2100 Principal Row, Suite 405
Orlando, FL 32837

Toll-Free: (800) DOG POTI - (800) 364-7681

Telephone: (407) 888-4627

Fax: (407) 888-8526

Email: info@dogipot.com

QUANTITY: 6

COLOR: GREEN METAL